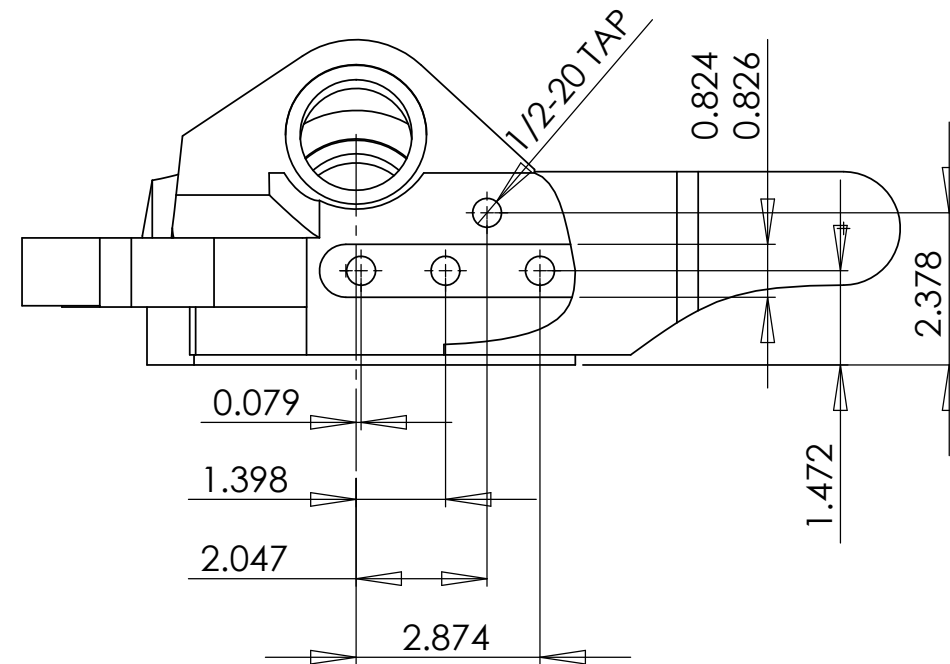




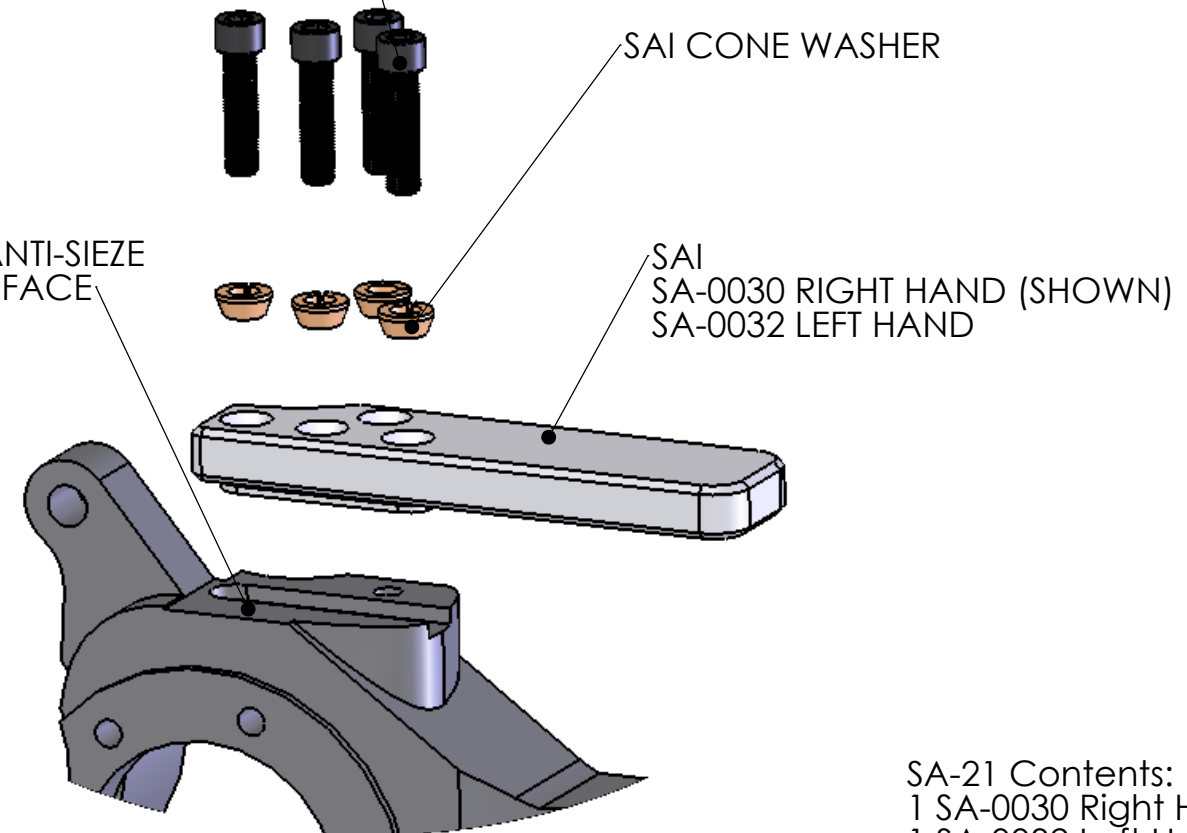
**Solid Axle Industries, LLC.**  
 12356 Mahoning Avenue  
 North Jackson, Ohio 44451

Toll Free: 888.290.AXLE  
 Phone: 330.538.9791  
 Fax: 330.538.9793



SHCS 1/2-20 x 2.00 LONG  
 NOTE: USE BLUE LOC-TITE

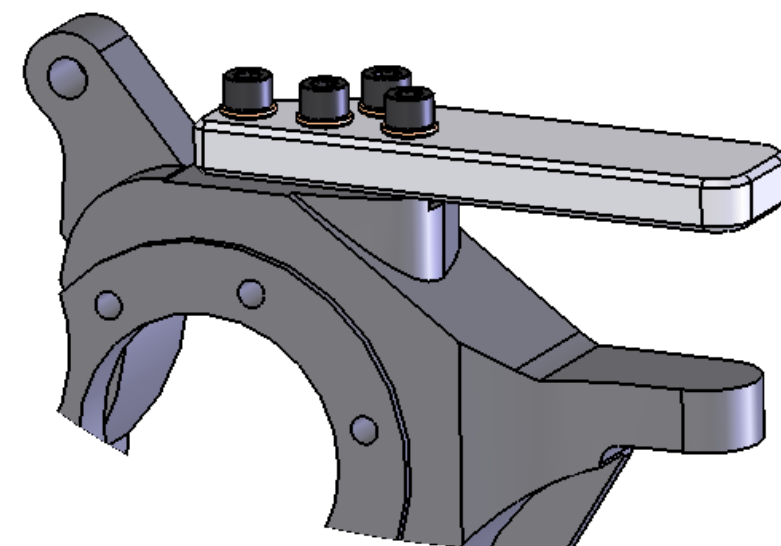
NOTE: USE ANTI-SIEZE  
 ON THIS SURFACE



SAI CONE WASHER

SAI  
 SA-0030 RIGHT HAND (SHOWN)  
 SA-0032 LEFT HAND

SA-21 Contents:  
 1 SA-0030 Right Hand Arm  
 1 SA-0032 Left Hand Arm  
 8 1/2-20 SHCS x 2.00 LG.  
 8 Cone Washers



VIEW A-A: ASSEMBLED VIEW

VIEW B-B: COMPONENTS

**PROPRIETARY AND CONFIDENTIAL**  
 THE INFORMATION CONTAINED IN THIS  
 DRAWING IS THE SOLE PROPERTY OF  
 SOLID AXLE INDUSTRIES, LLC. ANY  
 REPRODUCTION IN PART OR AS A  
 WHOLE WITHOUT THE WRITTEN PERMISSION  
 OF SOLID AXLE INDUSTRIES, LLC. IS  
 PROHIBITED.

		UNLESS OTHERWISE SPECIFIED:	NAME	DATE	TITLE: Balljoint 60 Steering Arm Assembly	
		DIMENSIONS ARE IN INCHES	DRAWN	M.Martin		13OCT06
		TOLERANCES:	CHECKED	M.Martin		13OCT06
		FRACTIONAL ±	ENG APPR.	M.Martin		13OCT06
		ANGULAR: MACH ± BEND ±	MFG APPR.			
		TWO PLACE DECIMAL ±	Q.A.			
		THREE PLACE DECIMAL ±	COMMENTS:			
		INTERPRET GEOMETRIC TOLERANCING PER:				
		MATERIAL				
NEXT ASSY	USED ON	FINISH				
APPLICATION		DO NOT SCALE DRAWING				
SIZE	DWG. NO.	REV				
<b>B</b>	<b>BJ KNUCKLE</b>					
SCALE: 1:10	WEIGHT:	SHEET 1 OF 1				